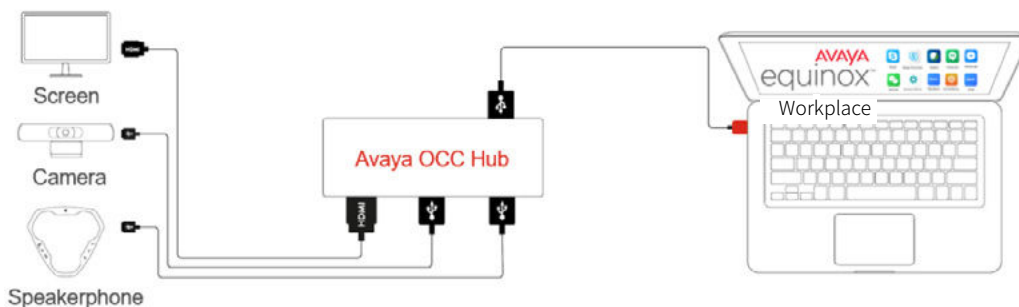




Avaya One Cable Connect Hub

The Avaya One Cable Connect Hub is a core component of the Avaya Huddle Room kit for laptops. A single USB cable is all you need to connect the camera, the audio device and the room's screen to the collaboration app on your laptop. The Avaya OCC Hub brings everything together into one convenient kit. It allows transforming any office to a small videoconferencing room, just by using Avaya Meetings

Conferencing, and connecting with a single cable an Avaya Huddle Camera HC010/HC020/HC050 and an audio-conferencing speakerphone, such as the Avaya Conference Phone B109 or B129 or B199 in any kind of meeting room. It also allows plugging in the hub/docking station the room's screen.



Note: this kit could be also used with other third party video software client application.

Avaya One Cable Connect Hub is a key part of you Avaya Cloud. Use Avaya Spaces®, Avaya Cloud Office® and Avaya One Cloud™ Solutions for Calling, Meeting, Messaging and More!



Avaya One Cable Connect Hub to implement the Huddle Kit for Laptop (with Avaya Meetings Conferencing).

- 2x USB inputs, 1x USB output (to laptop)
- 1x HDMI output to display
- Windows and MAC operating systems supported



Avaya One Cable Connect Hub

Size:	182 x 78 x 32 mm
Weight:	365g
Video:	Resolution up to 2048 x 1152. Colors in 16 Bits and 32 Bits supported.
Connections:	1 x USB 3.0 for computer connection. 2 x USB 3.0 for connecting conference cam and speakerphone. 1 x HDMI for connecting screen.
Power adapter:	AC 100 – 240V, DC 5V/4A
Temperature:	operation 0 – 40 °C, storage -20 – 70 °C



Camera Model	HC010 1080p30	HC020 1080p@30	HC050 12x 1080p30
Image device	CMOS 1/2.8"	4K@30/25 CMOS 1/2.7"	CMOS 1/2.7"
Video Formats	1080p30 / 720p30	2160p30/25 - 1080p60/50/30/25 (up to 1080p30 on XT, 720p30 on CU360)	1080p30/25/50/60 720p30/25/50/60 (up to 1080p30 on XT, 720p30 on CU360)
Video Signal	Compressed (H.264) on USB	Compressed (H.264) on USB	Compressed (H.264) on USB
Focal Length	f=2.8mm	f=2.8mm	f3.5mm ~ 42.3mm, F1.8 ~ F2.8
Min Object Distance (wide)	100 mm	500 mm	100 mm
Min Illumination	0.5 Lux @ (F2.0, AGC ON)	0.05 Lux @ (F1.8, AGC ON)	0.5 Lux @ (F1.8, AGC ON)
HFoV	85°	104° (up to 123°)	72°
VFoV	55°	68° (up to 80°)	43°
Optical Zoom (*)	N/A	N/A	12x
Digital Zoom (*)	4x	8x	16x
Pan Range	ePTZ	ePTZ	+/-170°
Tilt Range	ePTZ	ePTZ	+/- 30°
Serial Control	UVC via USB	UVC via USB	UVC via USB - Serial In-Out
Ceiling Mount	N/A	Supported	Supported
Camera Mount	Tripod screw hole (1/4-20 UNC)	Tripod screw hole (1/4-20 UNC)	Tripod screw hole (1/4-20 UNC)
Weight	93 g	0.34 Kg	0.91 Kg
Dimensions w/h/d	118mm x37.2mm x 30.8mm	194mm x 34mm x 42mm	128.5mm x 118mm x 156.2mm
Current Consumption (max)	200mA	600mA	1 A
Avaya Clients Supported	Avaya Spaces®, Avaya Cloud Office®, Avaya Workplace, Avaya Equinox®, Avaya One Cloud™		
3rd Party Clients Supported	MS® Teams, MS® Sfb, Skype®, Zoom®, Bluejeans®, Starleaf®, Pexip®, Cisco Webex®, Google Hangouts®		
Video Configurations	Same as other huddle cams, but via UVC	White balance (auto/manual); Focus Mode (auto/manual); Sharpness; Backlight; Exposure Compensation; Picture (auto/manual) and WDR level	
Voltage Range	5V (USB power supply)	5V (USB power supply)	12V nominal (10.8 to 13.0 V)
IR Repeater as TTL Signal	Not available	Not available	On pin 7 Serial In
Camera Output	USB 2.0	USB 3.0 - HDMI	USB 3.0
Microphone	Included	Included	Included
Presets	10 when controlled from UVC commands, 122 when controlled from XT or CU360	10 when controlled from camera remote or UVC commands, 122 when controlled from XT or CU360	
Far End Camera Control	Through XT or CU360 codec (H.224, H.281) or third party App		



Note: For larger rooms please use the Avaya B199 or B129.

For more information visit: www.avaya.com/en/documents/fs-conference-phone-b199-dv15378en.pdf

<https://www.avaya.com/en/documents/fs-conference-phone-b129-dv15574en.pdf>



Avaya Conference Phone B109

Size	145 x 134 x 32 mm
Weight	230 g
Display	1.77" Color LCD, 128x160 pixels
Upgrading	Avaya upgrade utility (for Microsoft® Windows®) upgrades Avaya B109 software via the USB connection
Power supply	
USB	Power supply and battery charge via the USB
Battery	1000 mAh Li-ion
Stand-by	72 hours battery only
Talk time	12 hours battery only
Connections	
USB	Micro USB. For computer connection.
Bluetooth	Bluetooth 4.0. For connection to a mobile phone or other equipment that supports the Bluetooth Handsfree profile. Support for simplified Bluetooth pairing and connection using NFC (near-field communications). Support for A2DP (advanced audio distribution profile) is required to obtain the best audio quality when playing music and for music control via the music mode in the Avaya B109.
Headset	3.5 mm phone plug (TRS/TRRS)
Audio	
Audio optimization	OmniSound®
Microphone	Two microphones with beamforming
Coverage range	Up to 30 m2
Frequency range for music	50-24,000 Hz
Frequency range for speech	50-7,000 Hz
Volume	90 dB SPL 0.5 m
Environment	
Temperature	5°-40°C
Relative	humidity 20-80% condensation free
Recommended acoustics	Reverberation period 0.5 S Rt 60 Background noise < 45 dBA

Learn More

For additional information, or for an Avaya demonstration, contact your Avaya Account Manager or Avaya Authorized Partner or visit the [Avaya online catalog](#).



The Avaya OCC Hub brings everything together into one convenient kit.



About Avaya

Businesses are built by the experiences they provide, and every day millions of those experiences are delivered by Avaya Holdings Corp. (NYSE: AVYA). Avaya is shaping what's next for the future of work, with innovation and partnerships that deliver game-changing business benefits. Our cloud communications solutions and multi-cloud application ecosystem power personalized, intelligent, and effortless customer and employee experiences to help achieve strategic ambitions and desired outcomes. Together, we are committed to help grow your business by delivering Experiences that Matter. Learn more at www.avaya.com