

Yealink PSTN Box CPN10

Used in combination with CP860/CP920/CP960/CP925/CP965/T67LTE/VP59/T58A/T58W/T57W/T54W/T53W/T53, CPN10, as a new product designed by Yealink, is a PSTN box to meet the demands in some countries and areas which are still using the public switched telephone network (PSTN). With this CPN10, Yealink CP860/CP920/CP960/CP925/CP965/T67LTE/VP59/T58A/T58W/T57W/T54W/T53W/T53 can support both the IP call based on SIP protocol and PSTN. With one PSTN cable in your meeting room or office, you can easily connect CPN10 with Yealink professional conference phone CP860/CP920/CP960/CP925/CP965 or desk IP phone T67LTE/VP59/T58A/T58W/T57W/T54W/T53W/T53 and start up your local three-way conference. Meanwhile, with the HD audio quality, full-duplex technology, acoustic echo canceling technology as well as its rich call handling features, such as USB call recording, linkage to mobile phones, you can enjoy the communication with excellent speech quality.

Key Features and Benefits

- Support CP860/CP920/CP960/CP925/CP965/T67LTE/VP59/T58A/T58W/T57W/T54W/T53W/T53
- Plug and play
- Easy to use
- No additional power needed
- USB call recording



Features

- USB call recording
- Support up to 2 cascaded CPN10
- Support both SIP and PSTN modes
- Sound pickup range: 4 m (work with CP920)
- Linkage to mobile phones or PCs

Package includes

- 1 x PSTN Box CPN10
- 1 x 3 m PSTN Cable
- 1 x Double-side Tape

- 1 x Quick Start Guide

Physical features

- 1 x USB 2.0 port
- 1 x RJ11 port
- Dimension (W x D x H): 73 x 48 x 15 mm
- Operating humidity: 10-95%
- Storage temperature: -30 to +70°C (-22 to +158°F)
- Operating temperature: -10 to +45°C (+14 to 113°F)

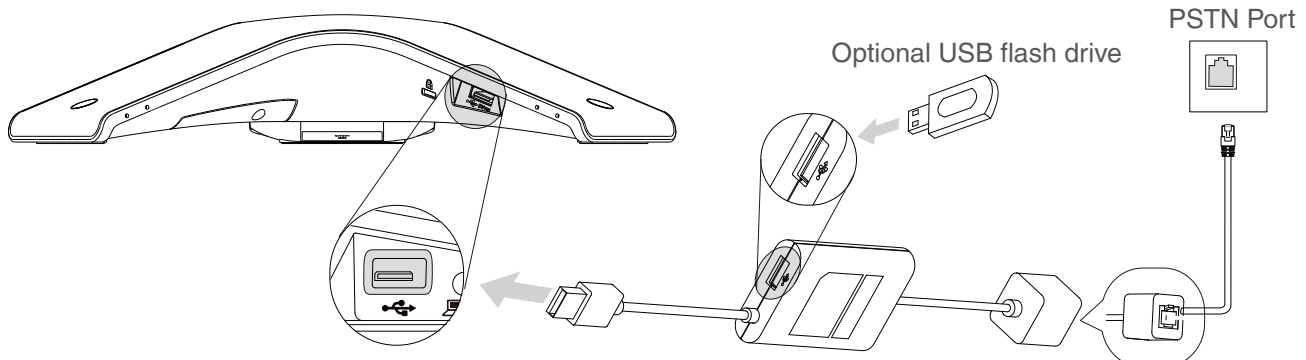
Package features

- Qty/CTN: 40 PCS
- N.W/CTN: 4.0 kg
- G.W/CTN: 5.0 kg
- Giftbox size: 131 x 90 x 35 mm
- Carton Meas: 390 x 220 x 262 mm

Certification



CP965 Conference Phones





About Yealink

Yealink (Stock Code: 300628) is a global-leading provider of Unified Communication & Collaboration Solutions specialized in video conferencing, voice communications, and collaboration, dedicated to helping every person and organization embrace the power of "Easy Collaboration, High Productivity".

With best-in-class quality, innovative technology, and user-friendly experiences, Yealink is one of the best providers in more than 140 countries and regions, ranks No.1 in the global market share of IP Phone, and is the Top 5 leader in the video conferencing market (Frost & Sullivan, 2021).

For more information about Yealink, [click here](#).

Copyright

Copyright © 2022 YEALINK(XIAMEN) NETWORK TECHNOLOGY CO., LTD.

All rights reserved. No parts of this publication may be reproduced or transmitted in any form or by any means, electronic or mechanical, photocopying, recording, or otherwise, for any purpose, without the express written permission of Yealink(Xiamen) Network Technology CO., LTD.

Technical Support

Visit Yealink WIKI (<http://support.yealink.com/>) for firmware downloads, product documents, FAQ, and more. For better service, we sincerely recommend you to use Yealink Ticketing system (<https://ticket.yealink.com>) to submit all your technical issues.



YEALINK(XIAMEN) NETWORK TECHNOLOGY CO.,LTD.

Web: www.yealink.com

Addr: No.1 Ling-Xia North Road, High Tech Park,
Huli District, Xiamen, Fujian, P.R.C

Copyright©2022 Yealink Inc. All rights reserved.